

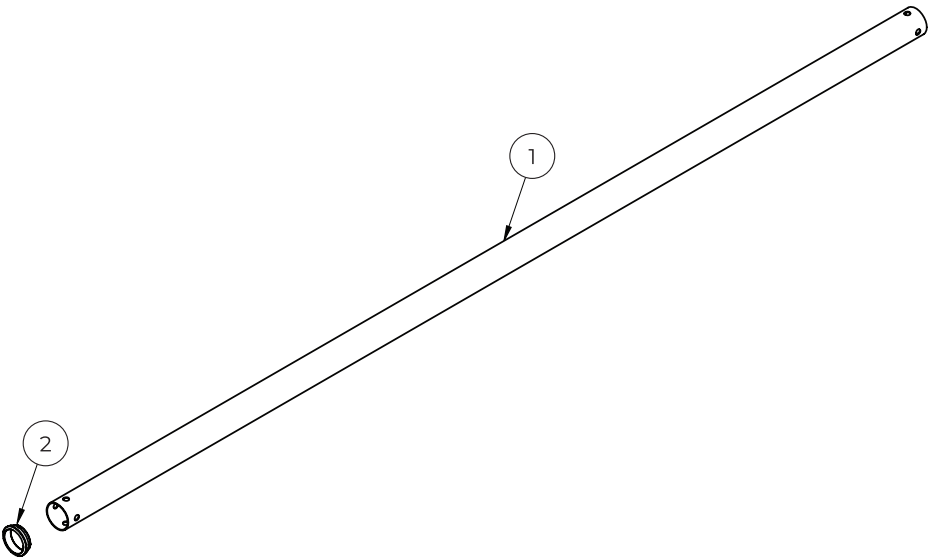
**BT7850-200**

**SYSTEM 2**<sup>™</sup>

Ø50mm (2") Pole

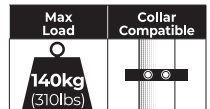
Length: 2m (78.7")

## Parts List



Item	Description	Qty
1	Ø50mm Pole : Length 2m	1
2	Pole End Ring	1

- Designed to be used in conjunction with B-Tech's System 2 range



# BT7850-200

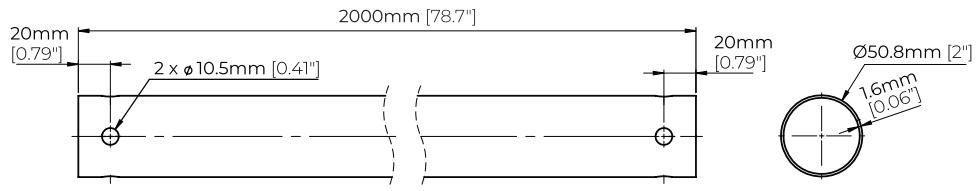
## Ø50mm (2") Pole

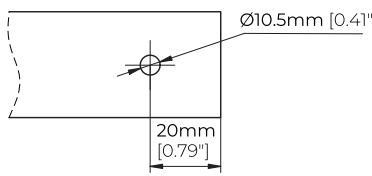
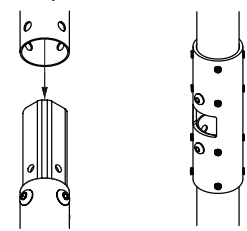
Length: 2m (78.7")

### Dimensions

Do not attempt to install this product until all instructions and warnings have been read and properly understood. Please keep these instructions for future reference.

Please check carefully to make sure there are no missing or defective parts - defective parts must never be used. B-Tech AV Mounts, its distributors and dealers are not liable or responsible for damage or injury caused by improper installation, improper use or failure to observe these safety instructions. In such cases, all guarantees will expire.



<h4>Safety Bolt Hole Size And Location</h4>  <p><b>Note:</b> When drilling new holes always ensure they are diametrically opposite each other so that the bolt can pass <b>straight through</b>.</p>	<h4>Optional Pole Joiners</h4>  <p><b>BT7823</b> Internal Pole Joiner      <b>BT7824</b> External Pole Joiner</p>
--	---

**Attention!**  
 Identical safety bolt holes are provided at each end of the pole. Two orientations are provided at 90 degrees to each other so that you can best align your AV equipment with the cable management hole in the ceiling mount or pole joiner. If poles are cut to length during installation then these holes should be re-drilled at the equipment end, leaving the original holes for use in the ceiling mount. The pole end ring is then used to cover the sawn end and protect your cables from the rough edge while leaving a clean finish. Safety bolts are included with all Ø50mm (2") 'System 2' products and **MUST** be set in place before any AV equipment is fitted. It is imperative that a safety bolt is used through all ceiling mounts and pole joiners.

Contact: [info@btechavmounts.com](mailto:info@btechavmounts.com)

©2024 B-Tech AV Mounts Corporation Ltd. All rights reserved.

B-Tech AV Mounts is a division of B-Tech AV Mounts Corporation Ltd. B-Tech AV Mounts and the B-Tech logo are registered trademarks. All B-Tech images and symbols are exclusive property of B-Tech AV Mounts Corporation Ltd. All other brands and product names are trademarks of their respective owners. Any reproduction, retransmission or republication of any part of this manual is strictly prohibited, unless prior written permission has been granted by B-Tech AV Mounts Corporation Ltd. Photographs are for illustrative purposes only. E&OE

AMA-BT7850-200-V3-0224-44 Made in the P.R.C.

